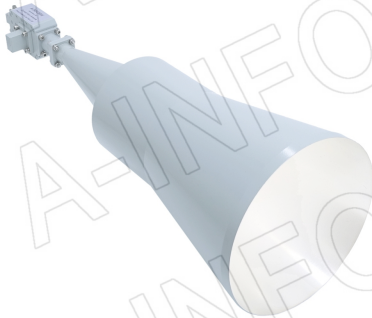


For reference only. See data sheet for the detailed specifications.

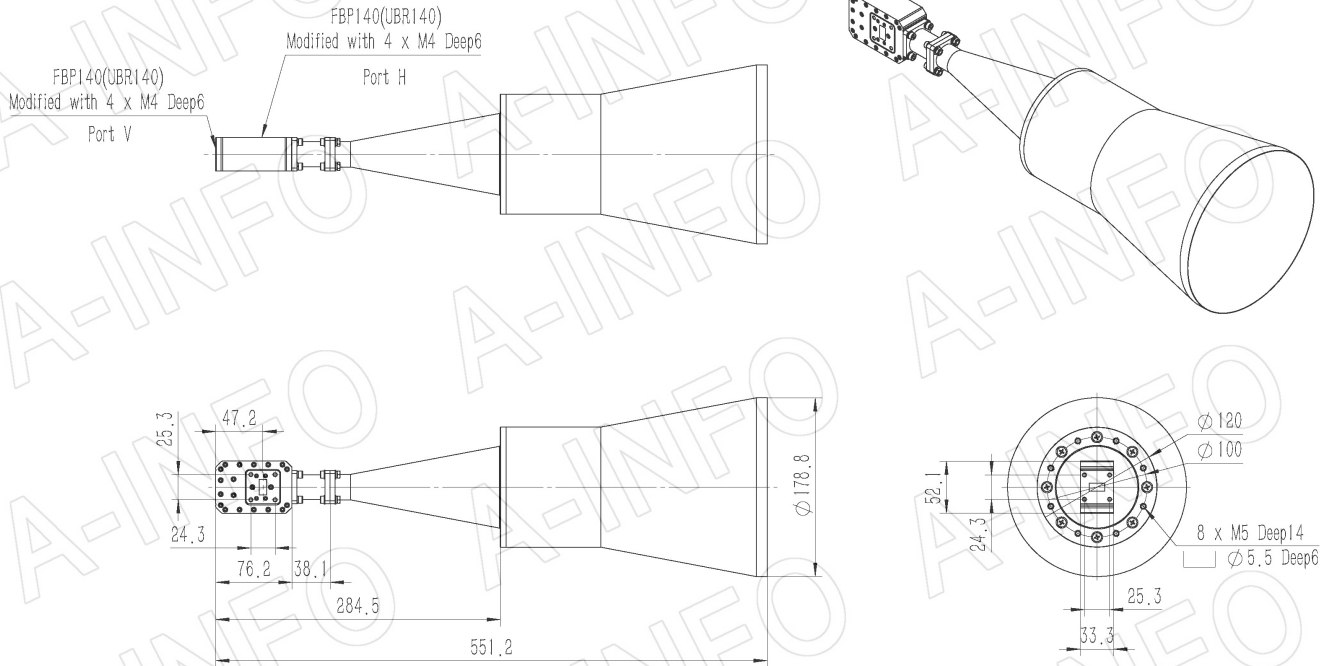
Technical Specification



Frequency Range(GHz)	12.4 – 18.0
Waveguide	WR62
Gain(dBi)	25 Typ.
Polarization	Dual Linear
3dB Beamwidth(deg)	E Plane: 8 Typ.
	H Plane: 9 Typ.
Cross Pol. Isolation(dB)	45 Typ.
Port to Port Isolation(dB)	55 Typ. ; 45 Min.
VSWR	A Type: 1.60:1 Max.
	C Type: 1.80:1 Max.
Output	A Type: FBP140(UBR140) (Modified with 4xM4 Deep 6)
	C Type: SMA-Female or N-Female or TNC-Female or 7mm or 3.5mm-Female
Material	Al
Finish	Silver Plated and Chemical Conversion Coating, Gray Paint
Size(mm)	A Type: 178.8 x 178.8 x 551.2
	C Type: 178.8 x 178.8 x 578.2
Net Weight(Kg)	A Type: 2.14 Around
	C Type: 2.22 Around

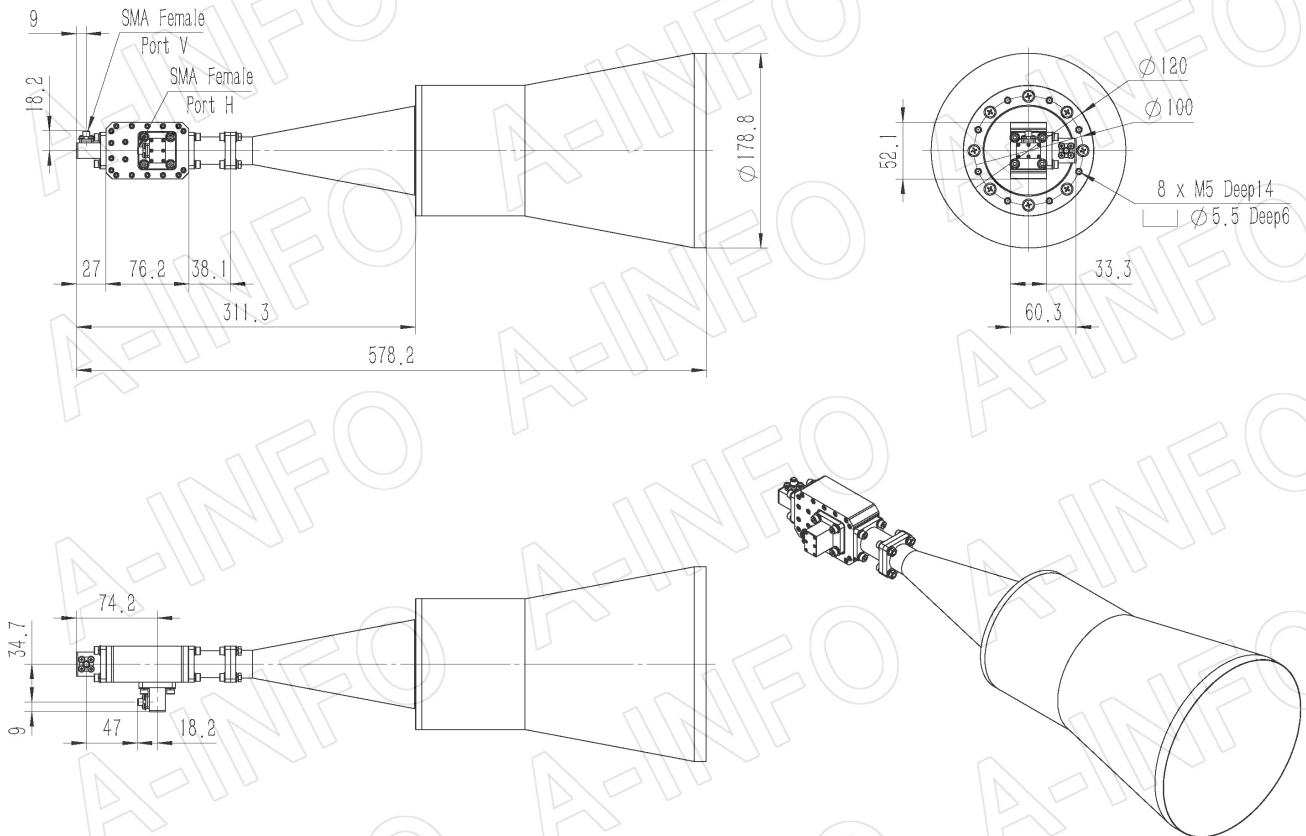
Outline Drawing (Size: mm)

FBP140 Output (P/N: LB-CNH-62-25-T02-A)

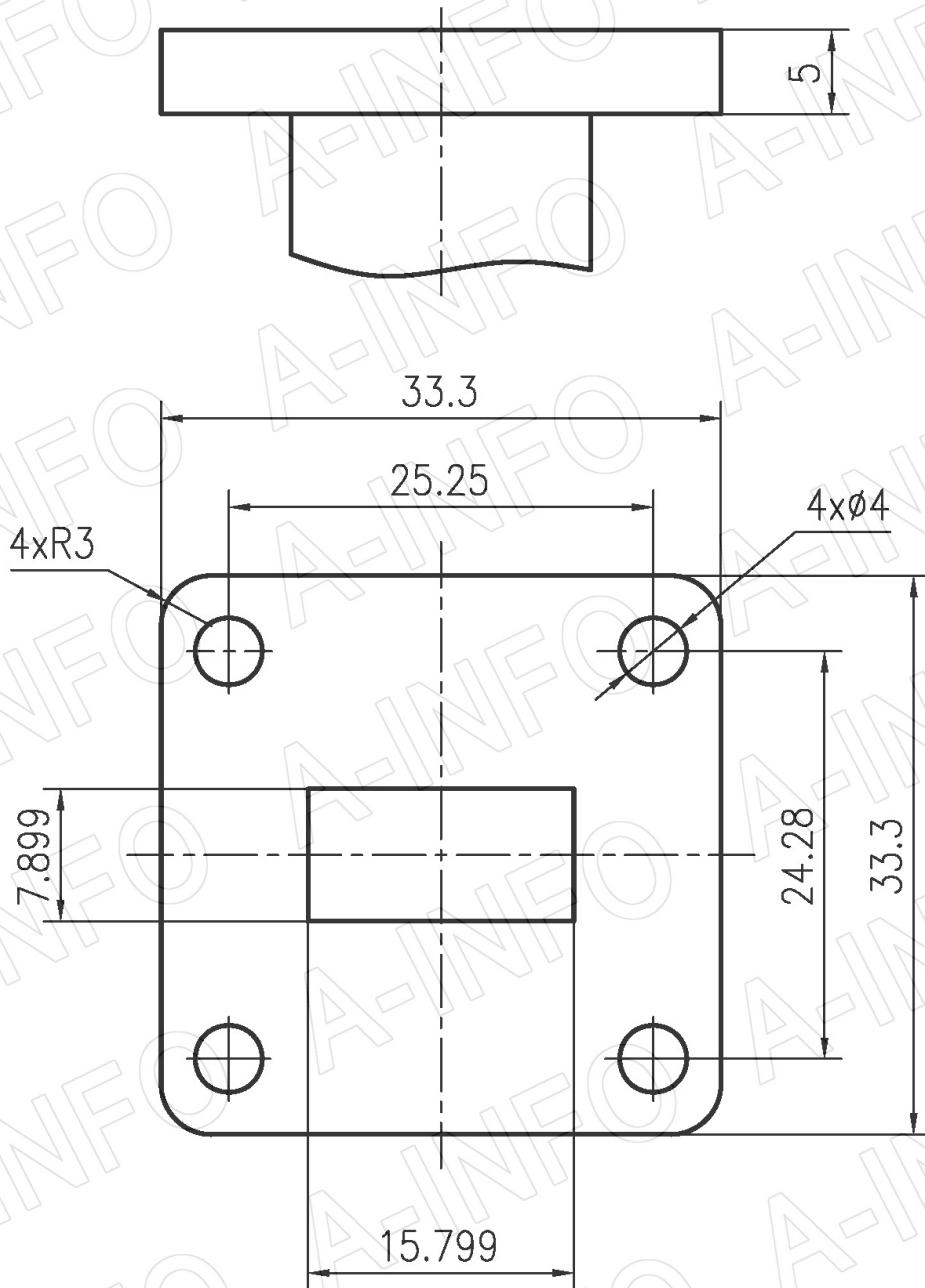


SMA-Female Output (P/N: LB-CNH-62-25-T02-C-SF)

For N-Female, TNC-Female, 7mm or 3.5mm-Female output outline drawing, please contact A-INFO.



Flange Drawing (Size: mm)



FBP140

AINFO Inc.

China(Beijing): Tel: (+86) 10-6266-7326,
China(Chengdu): Tel: (+86) 28-8519-2786,
USA : Tel: (+1) 949-639-9688,

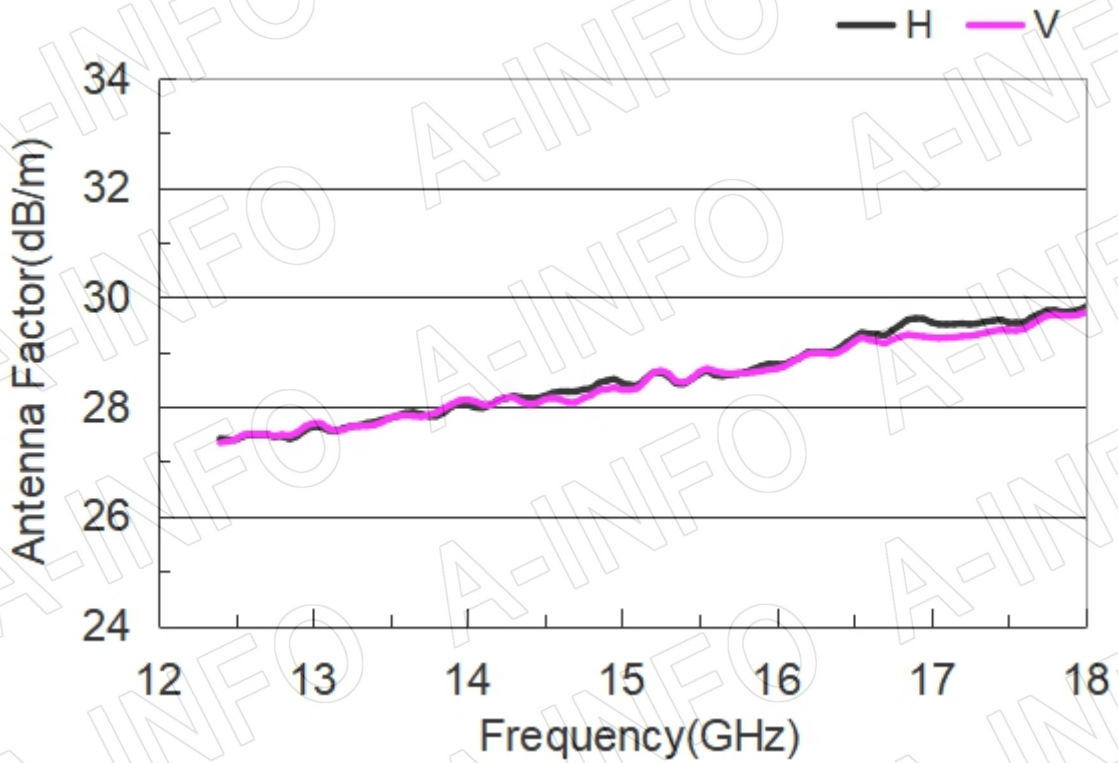
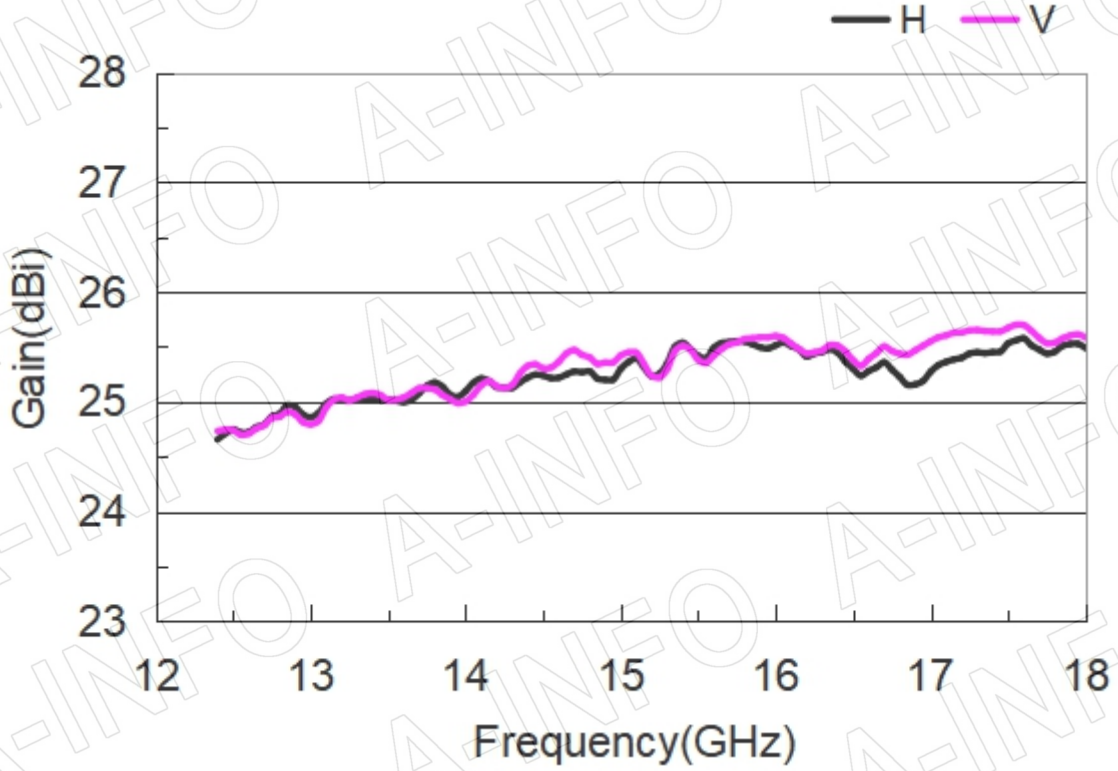
Page 3 of 10

(+86) 10-6266-7327 Fax: (+86) 10-6266-7379
(+86) 28-8519-3044 Fax: (+86) 28-8519-3068
(+1) 949-639-9608 Fax: (+1) 949-639-9670

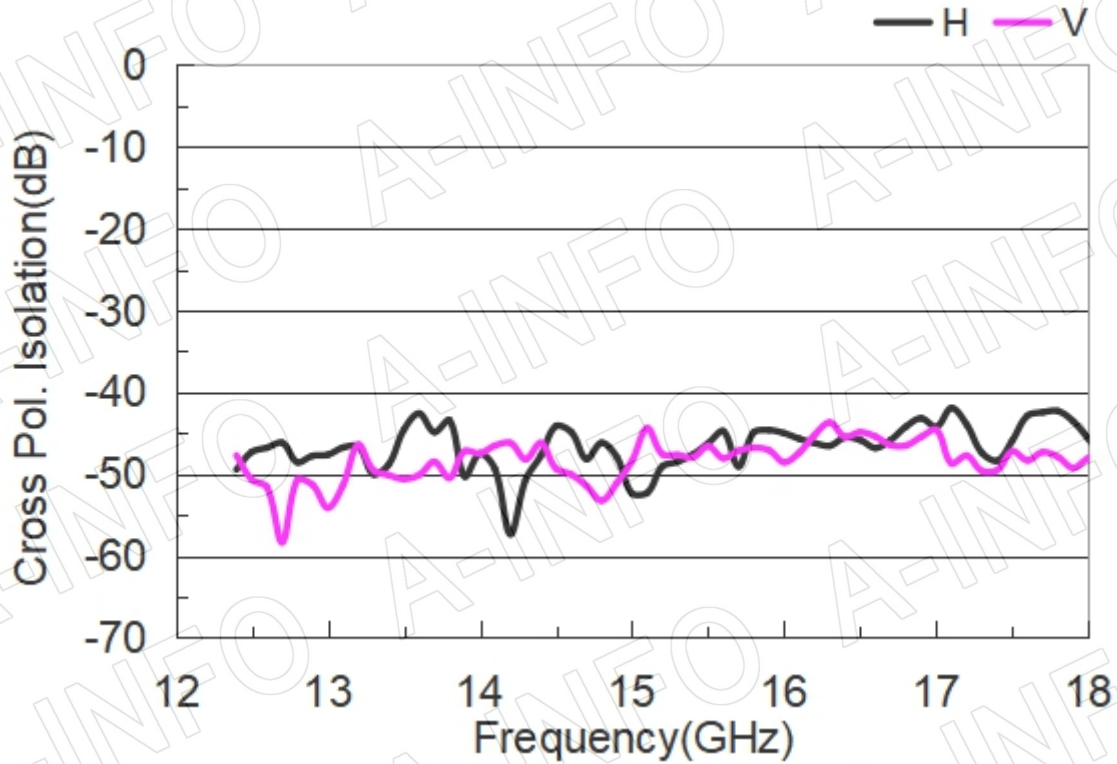
Website: www.ainfoinc.com
Email: sales@ainfoinc.com

Test Results

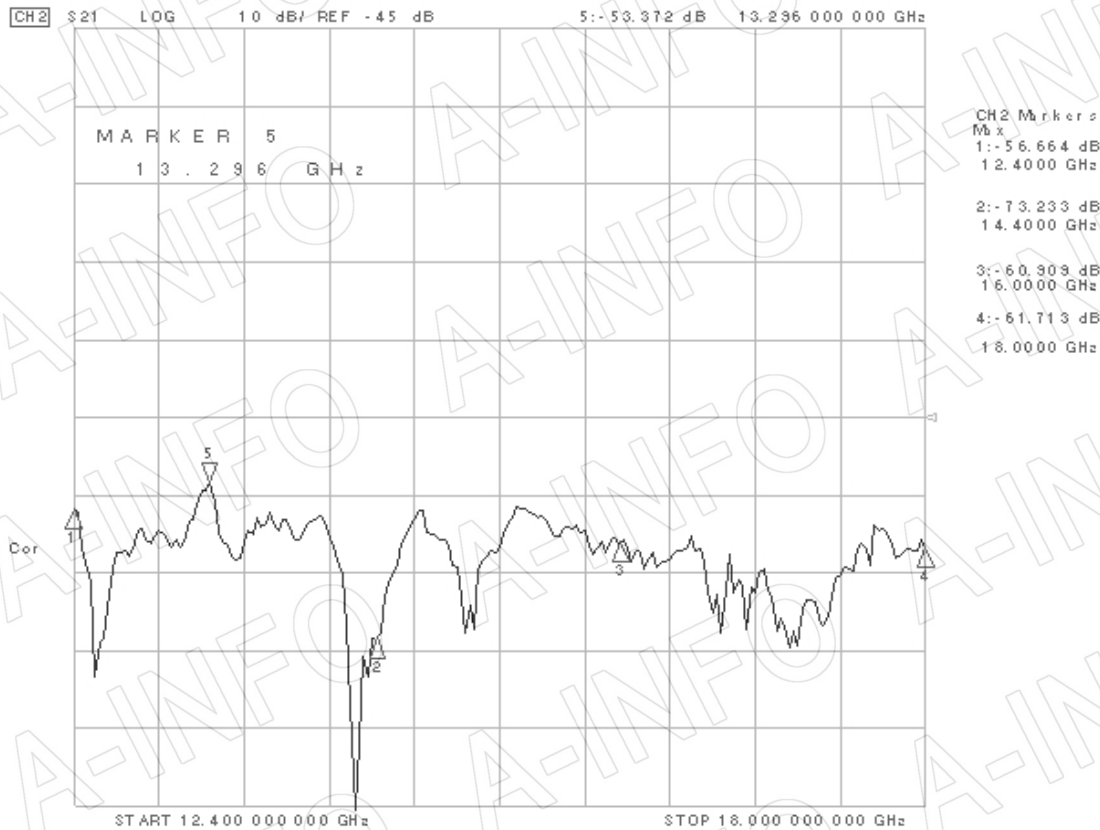
1. Gain & Antenna Factor



2. Cross Polarization Isolation



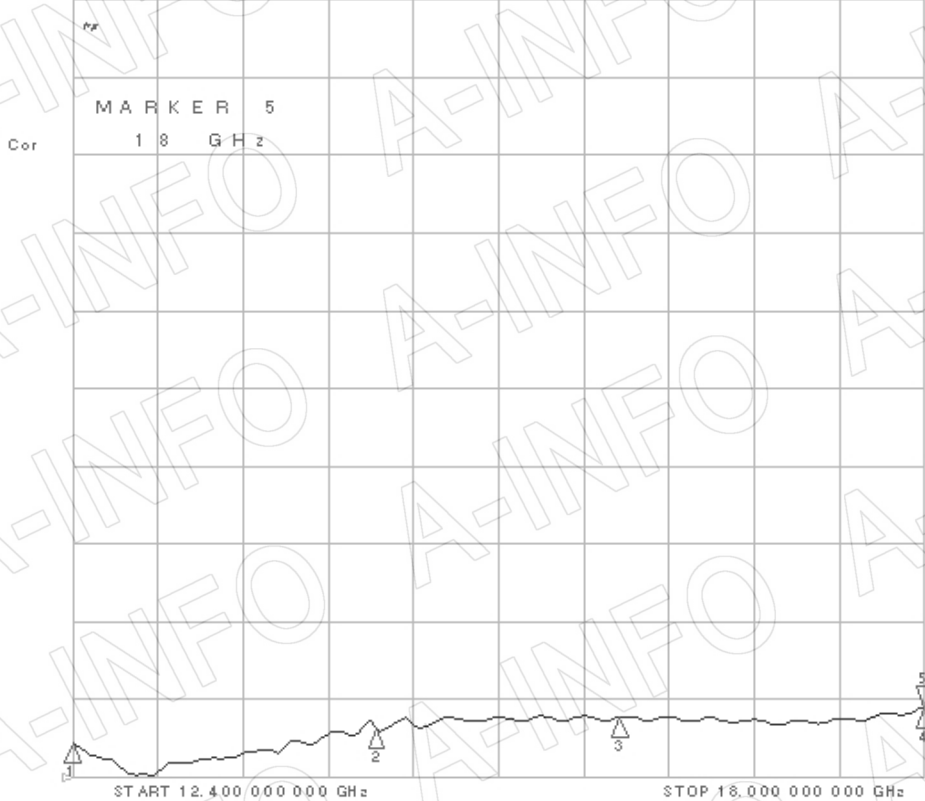
3. Port to Port Isolation



4. VSWR_A Type

Port-H

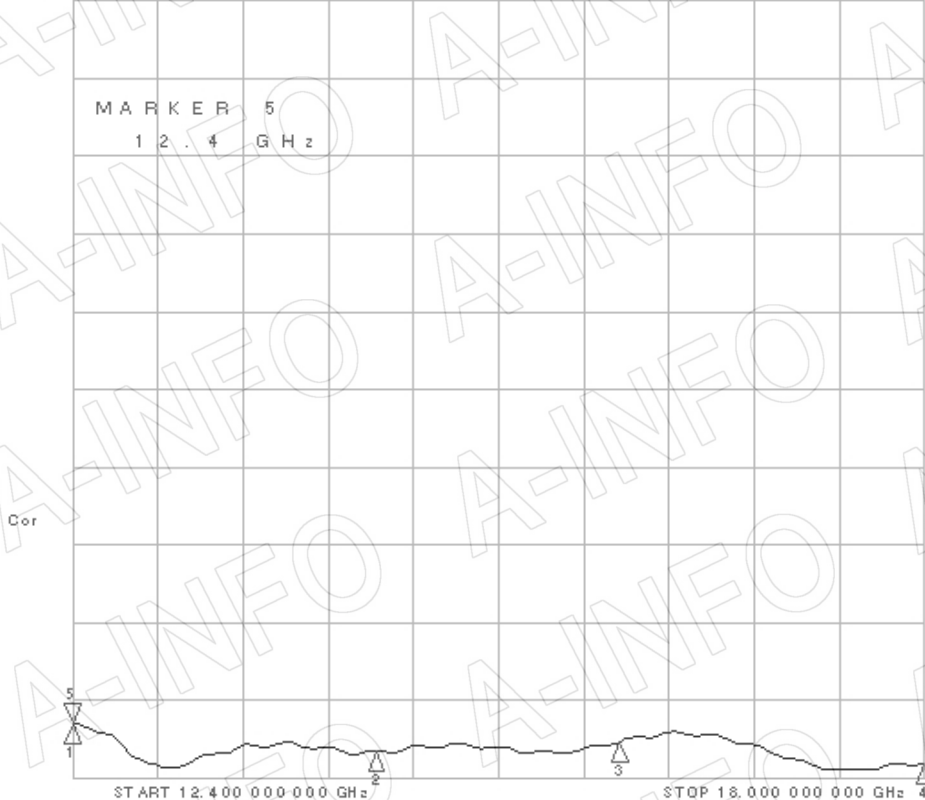
CH1 S11 S_{WR} 600 m / REF 1 5: 1.5439 18.000 000 000 GHz



CH1 Markers
Max
1: 1.2661
12.4000 GHz
2: 1.3825
14.4000 GHz
3: 1.4653
16.0000 GHz
4: 1.5439
18.0000 GHz

Port-V

CH2 S22 S_{WR} 600 m / REF 1 5: 1.4265 12.400 000 000 GHz

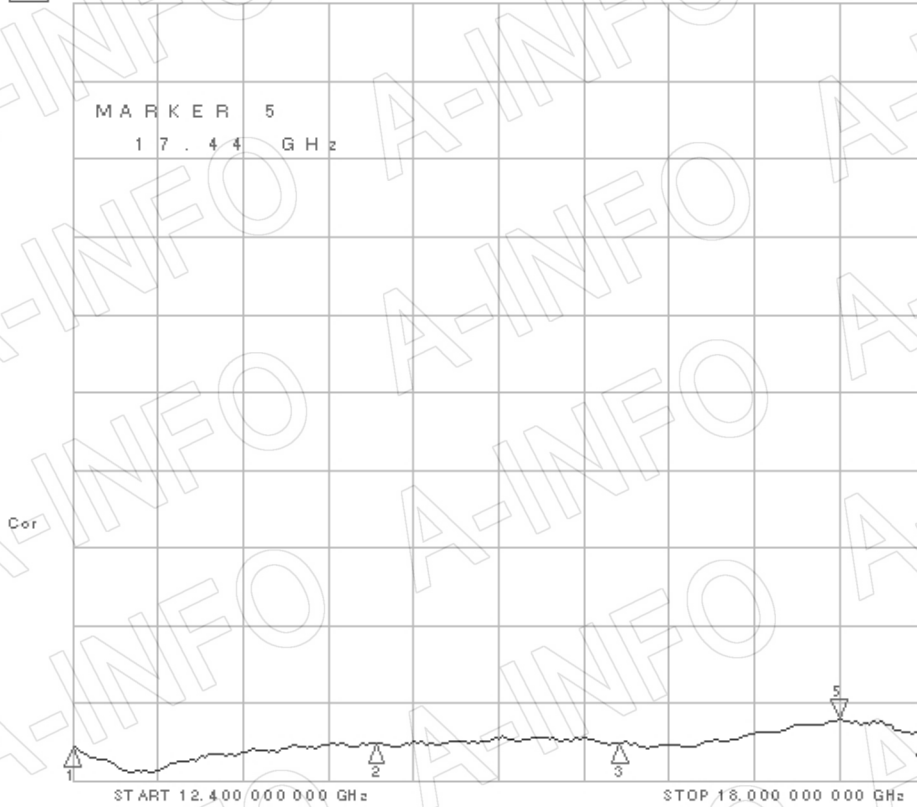


CH2 Markers
Max
1: 1.4265
12.4000 GHz
2: 1.2145
14.4000 GHz
3: 1.2840
16.0000 GHz
4: 1.1158
18.0000 GHz

VSWR_C Type

Port-H

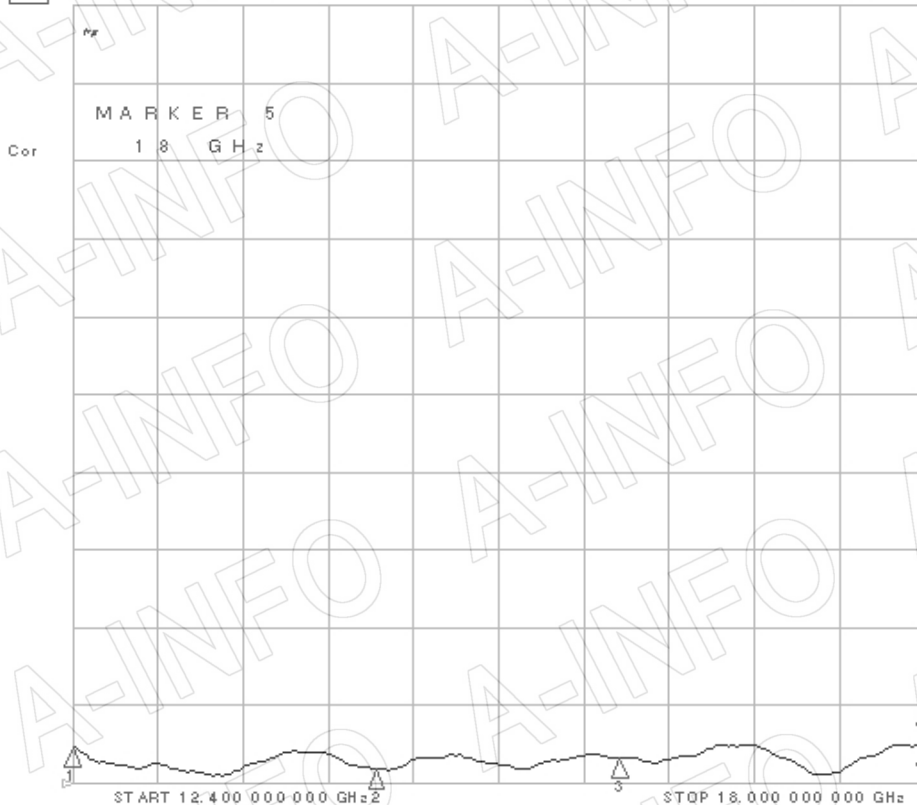
CH2 S22 S_{WR} 800 m / REF 1 5: 1.6332 17.440 000 000 GHz



CH2 Markers
Mkx
1: 1.3533
12.4000 GHz
2: 1.3973
14.4000 GHz
3: 1.4002
16.0000 GHz
4: 1.4733
18.0000 GHz

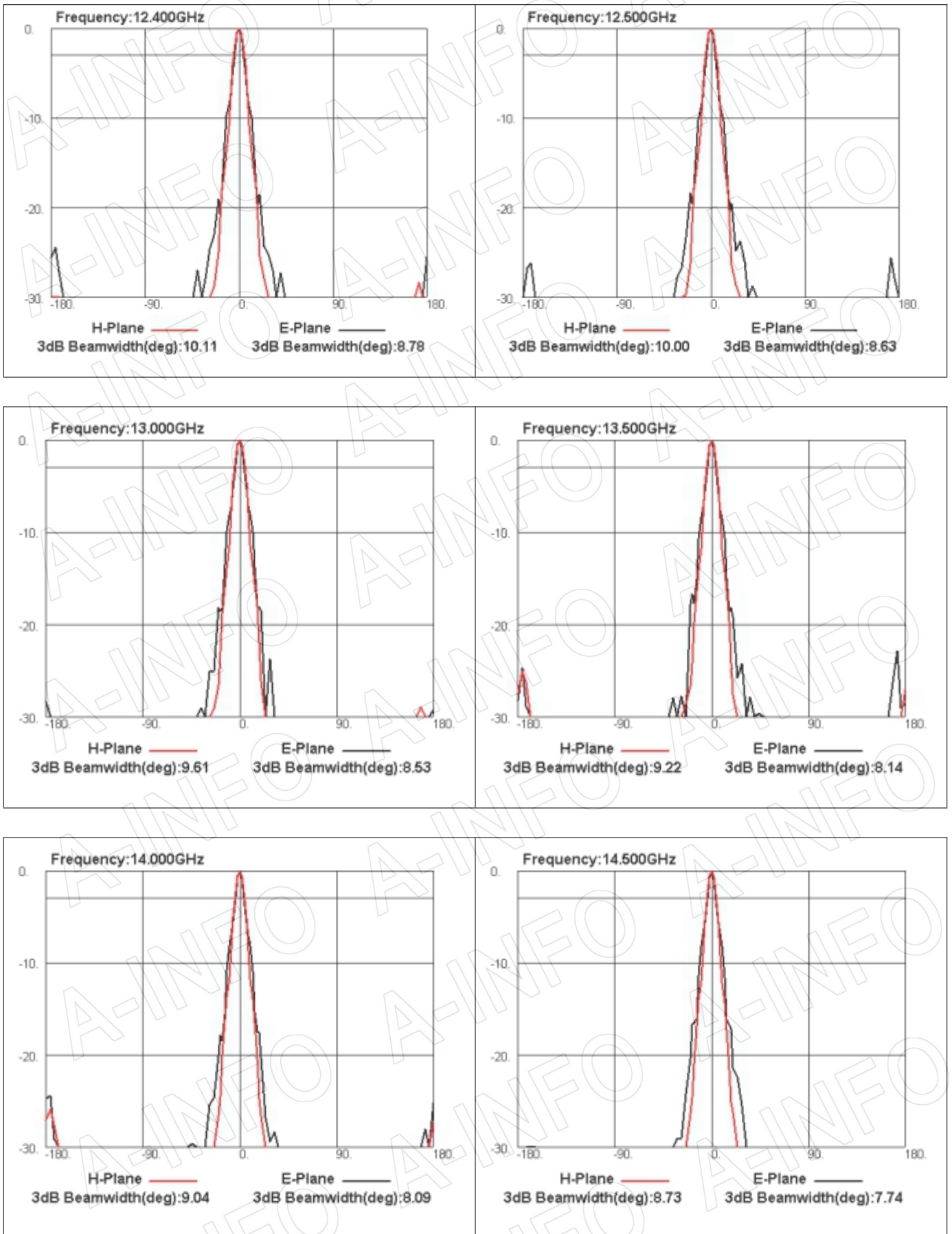
Port-V

CH1 S11 S_{WR} 800 m / REF 1 5: 1.4067 18.000 000 000 GHz



CH1 Markers
Mkx
1: 1.3724
12.4000 GHz
2: 1.1501
14.4000 GHz
3: 1.2670
16.0000 GHz
4: 1.4067
18.0000 GHz

5. Pattern



AINFO Inc.

China(Beijing):
China(Chengdu):
USA :

Tel: (+86) 10-6266-7326,
Tel: (+86) 28-8519-2786,
Tel: (+1) 949-639-9688,

Page 8 of 10

(+86) 10-6266-7327
(+86) 28-8519-3044
(+1) 949-639-9608

Fax: (+86) 10-6266-7379
Fax: (+86) 28-8519-3068
Fax: (+1) 949-639-9670

Website: www.ainfoinc.com
Email: sales@ainfoinc.com

